

Solo 3



Light and mobile graphic stand

Solo is ultra-compact, yet fully equipped like no other. The Solo 3 banner stands have unique, clever features for your successful campaigns. Solo 3 has an elegant, fold-out tripod foot. The telescopic pole and a bottom slider give height to be adjusted to fit your preferences. Solo can be seamlessly connected side by side, straight or at an angle, thanks to built-in power-magnets. Clever Gripper profiles allow for fast and easy graphics exchange without tools or tape.

Specifications:

VERSIONS

Solo 3 850/610

DESCRIPTION

Aluminum alloy banner stand with telescopic pole
Re-usable Gripper profiles for snap-in graphics
Flight Bag with pocket for spotlight

GRAPHIC MATERIAL

All common materials, e.g. polyester

WIDTH

610 mm

HEIGHT

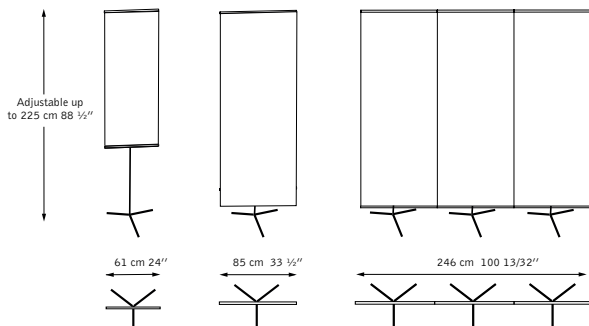
Adjustable up to 225 cm

WEIGHT

1.2 kg excl. graphics and flight bag

Footprints

Also available for download, <http://www.maxibit.com/manuals/>



Why choose Solo 3:

- Clever Gripper profiles for easy graphic exchange
- Ultra-compact for smart carrying
- Two designs and two widths; four different versions to choose from
- 100% recyclable for a better environment



Website



Maxibit has been a member of UN Global Compact since 2007. www.unglobalcompact.com



www.maxibit.com